



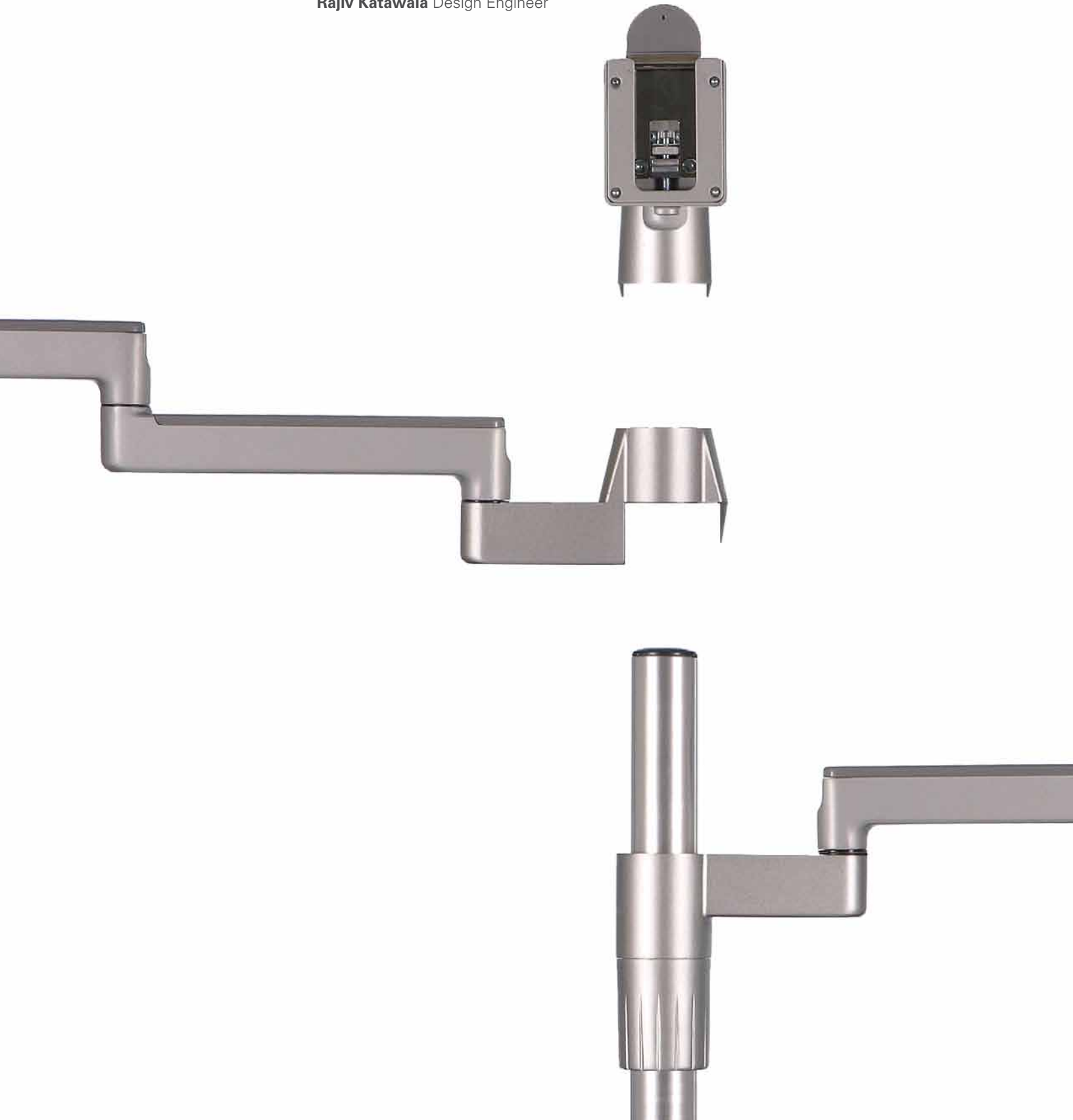
M|Flex™

**Supporting Tomorrow's Technology ... Today**



“We had to create a solution that’s essentially future-proof—  
one that’s ready to support today’s technology and the  
technology of the future.”

**Rajiv Katawala** Design Engineer



## A New, Simpler Way

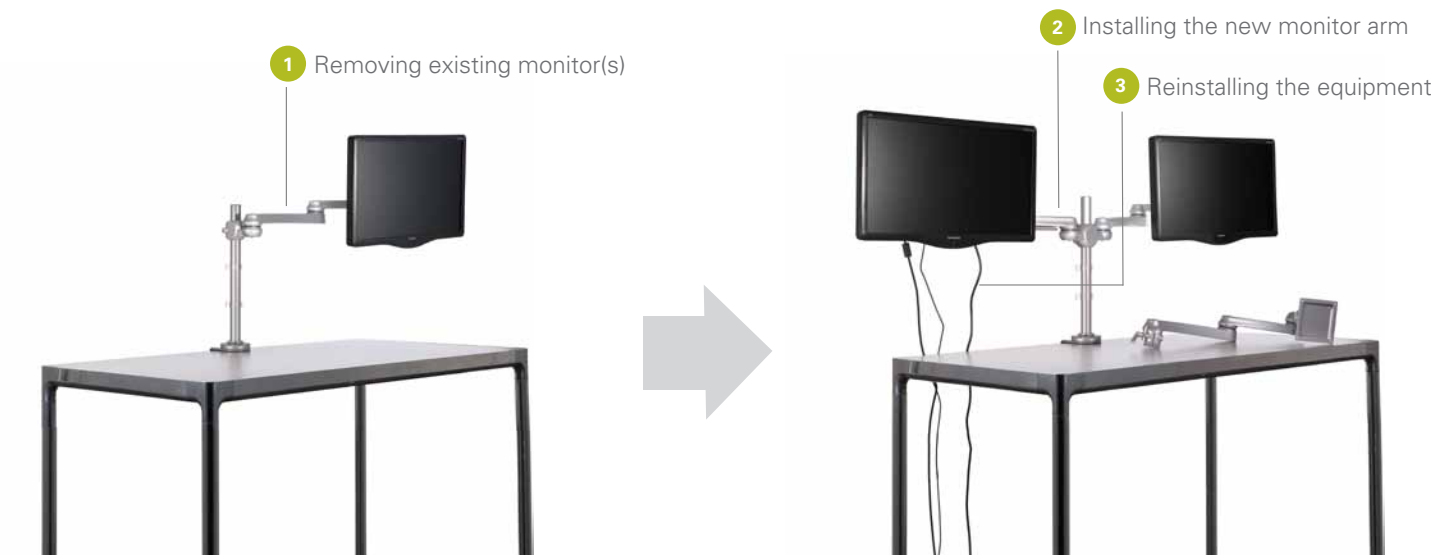
The incredibly versatile M/Flex is one of the most scalable monitor arm systems on the market. With the unique ability to support up to six monitors weighing up to 20 pounds each from a single pole, M/Flex accommodates today's—and tomorrow's—technology with ease.



## Farewell to Outdated Approaches

M/Flex dares to challenge all ways old, cumbersome and difficult, instead providing a simple and easy approach. And, unlike many monitor arm systems, M/Flex enables users to purchase one system to accommodate their needs, as opposed to buying multiple arm systems.

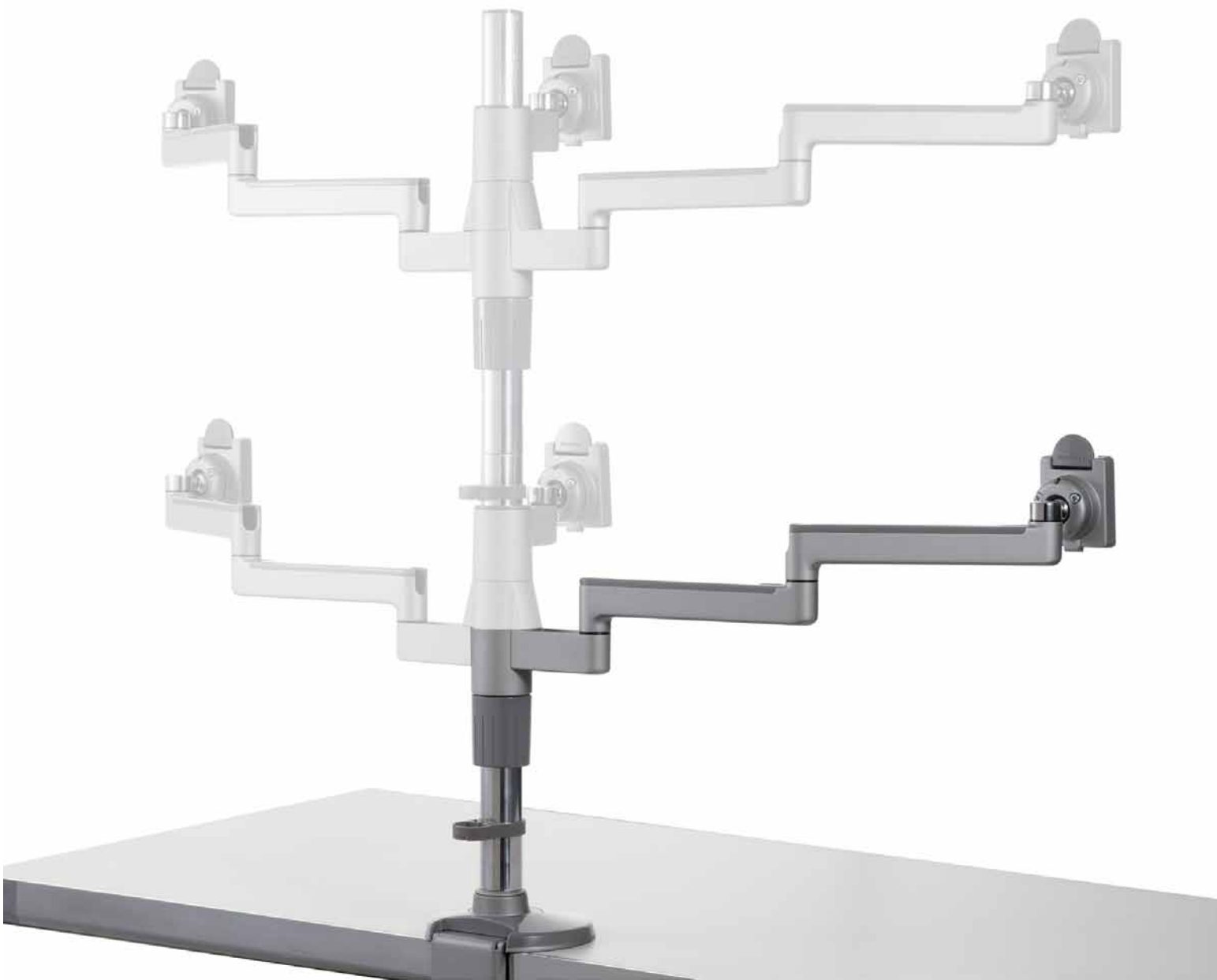
Adding a monitor to most currently available solutions often requires a series of steps, such as:



M/Flex obliterates the necessity for these unwieldy adjustments, allowing new monitor additions by simply adding a bracket.

## The M/Flex Solution

Installation takes time and money. Featuring nesting integrated brackets, M/Flex allows monitors to be added without disturbing the existing configuration—completely streamlining the entire installation process and thereby reducing the effort and costs involved.



## Everyday Applications

Thanks to its versatile monitor support and clean design, M/Flex operates brilliantly and complements any contemporary work environment.

Whether used for a security office, a commercial space or a healthcare environment, M/Flex meets and exceeds the needs of these settings.



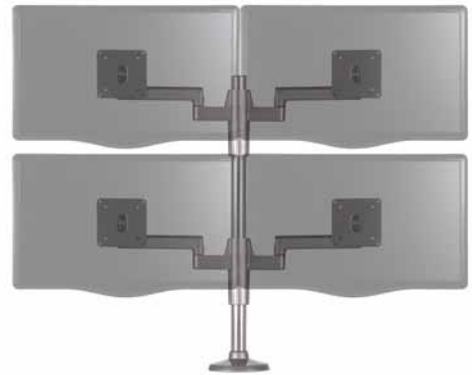
**Single Fixed**



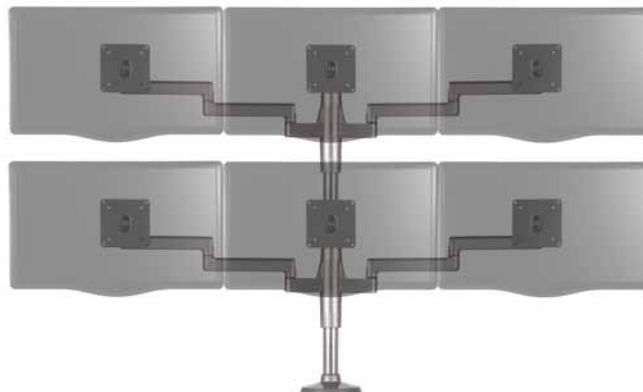
**Dual Dynamic**



**Triple Fixed**



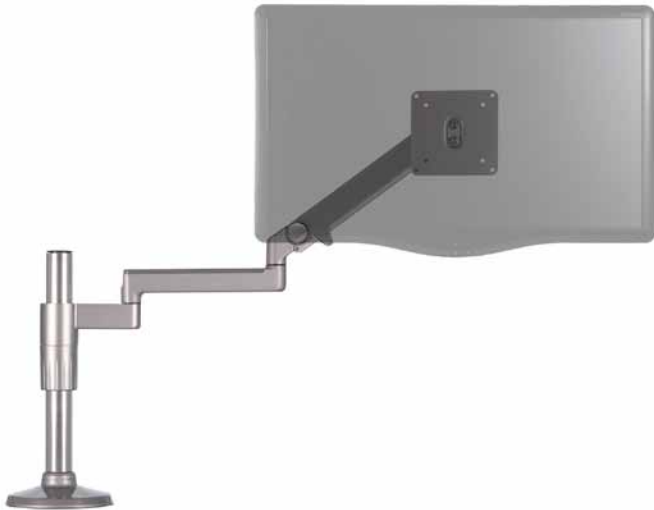
**Two over Two**



**Three over Three**

## Award-Winning Monitor Arms

M/Flex's strong and supportive structure starts with two award-winning, sustainable monitor arms—the M2™ and M8™, which both feature industry-leading cable management to hide unsightly wires.



### M2™ Monitor Arm

#### Features

- Sleek, slim design to complement any interior
- Fewer parts for a more sustainable monitor arm
- Uses an innovative mechanical spring to achieve exceptional performance



### M8™ Monitor Arm

#### Features

- Vast range of monitor support, including all-in-ones and touch screens
- Accommodates up to 40 pounds of weight
- High-capacity construction supports dual-monitor applications with optional crossbar

## M/Flex and the Environment

The Humanscale Design Studio developed M/Flex with sustainability in mind, using fewer and lighter parts for less overall environmental impact and less money and energy wasted in the shipping and manufacturing of the product. Importantly, M/Flex prevents the waste of technology components by allowing users to add parts over time, making it among the most sustainable monitor arms on the market.

